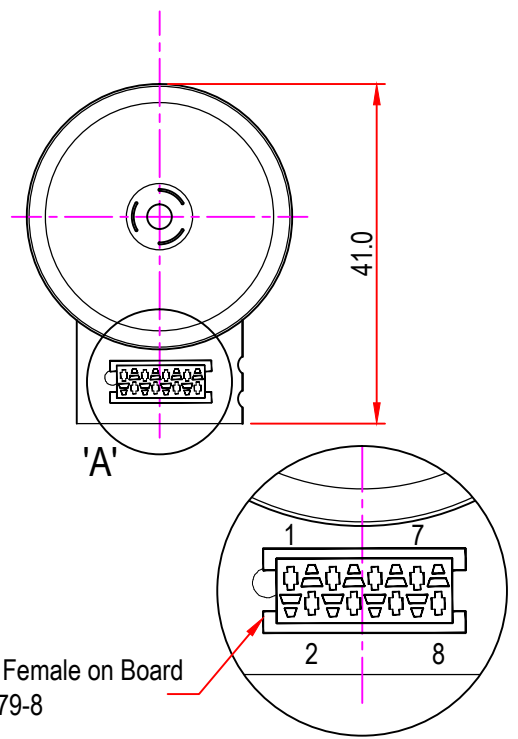
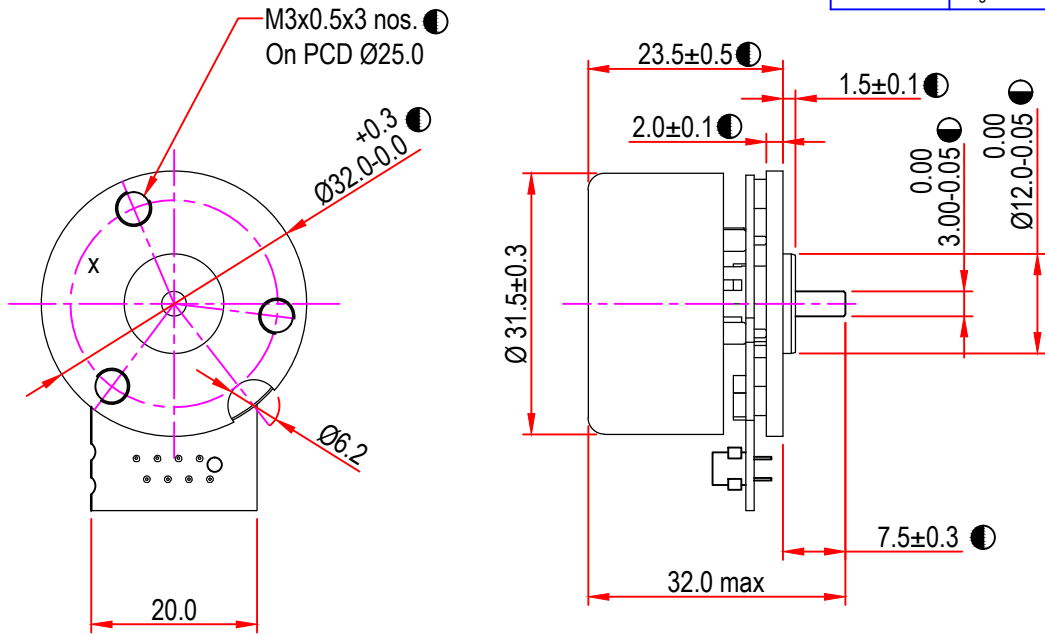


Issue/RevNo	Revision note	Date	Signature	Checked
1.0	Original Issue	20/06/2019	-	-



AMP Micro-Match Female on Board
Connector 7-215079-8

DETAIL : A

Other Specification	
Number of pole pairs	4
Number of phases	3
Sensor Output	O.C.

Motor Specification		
Parameter	Unit	Ratings
Voltage	VDC	24
No load speed	RPM	5300
No load current	mA	45
Rated speed	RPM	3750
Rated current	mA	150
Rated torque	Ncm	0.6
Stall torque	Ncm	2.4
Stall current	mA	450
Resistance / Phase	Ω	49
Inductance / Phase	mH	28
Rotor inertia	gcm ²	49
Direction of Rotation	-	CW/ACW
Mass	gm	50

Motor Connection	
PIN 1	GND
PIN 2	Hall sensor 3
PIN 3	V _{hall} 4.2..24VDC
PIN 4	Hall sensor 2
PIN 5	Hall sensor 1
PIN 6	Motor winding 1
PIN 7	Motor winding 2
PIN 8	Motor winding 3

Motion Drivetrionics Pvt Ltd

Itemref	Client	-	Article No./Reference	
Designed by	Checked by	Approved by	Date	Scale
-	-	-	20/06/2019	do not scale
BRAND - MECHTEX Navi Mumbai - 400 709.			DRAWING CODE : BO322353	
F-MKT-022 VER 3.0			Assembly Drawing	Edition Sheet 1 of 1