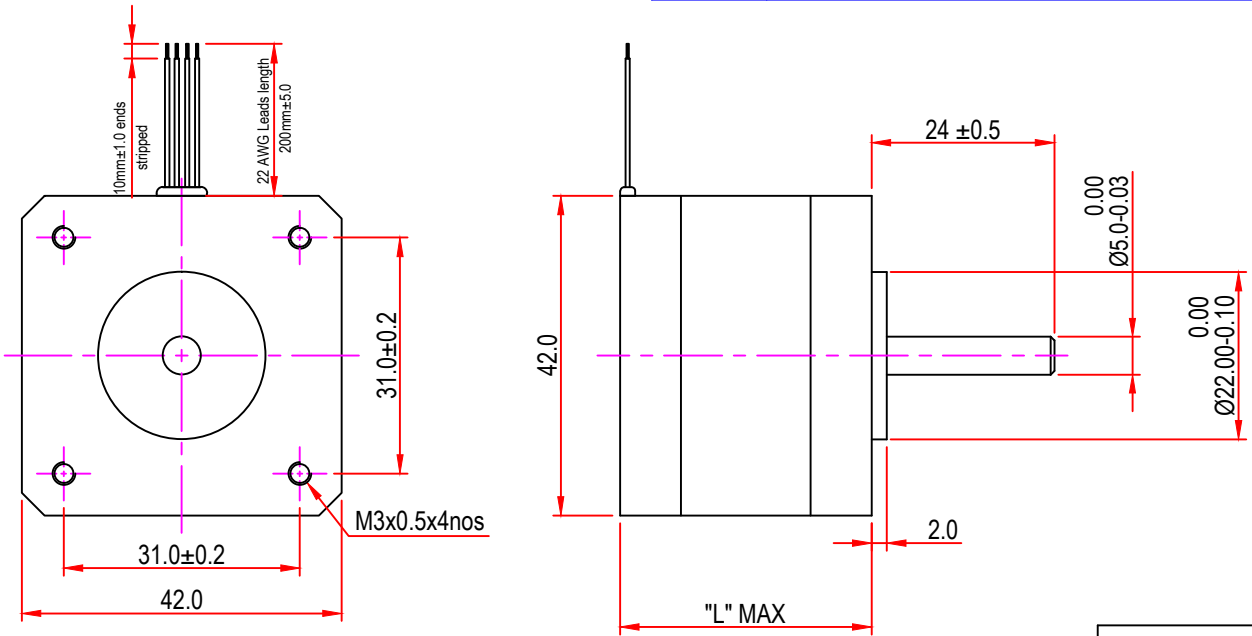
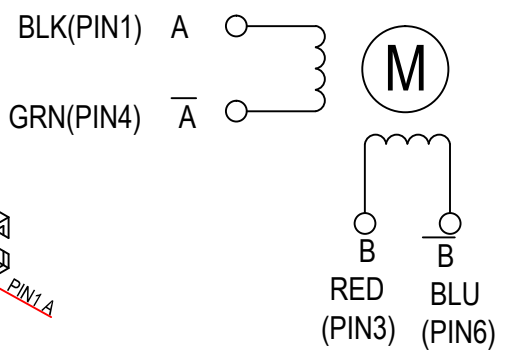
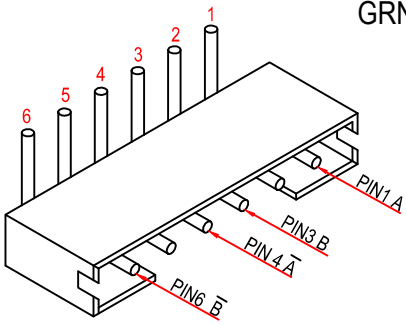


Issue/RevNo	Revision note	Date	Signature	Checked
1.0	Original Issue	11/05/2019	ARM	MDC



JST CONNECTOR  
PH SERIES  
S6B-PH-KL

Wiring Diagram :  
(LEADWIRE/CONNECTOR)



Sr.no	MOTOR LENGTH "L"
1	34.00
2	41.00
3	48.00

**Motion Drivetrionics Pvt Ltd**

Itemref	Client	-	Article No./Reference	
Designed by GHD	Checked by CHG	Approved by PPJ	Date 11/05/2019	Scale do not scale
<b>BRAND - MECHTEX</b> Navi Mumbai - 400 709.			DRAWING : NEMA 17 BIPOLAR	
F-MKT-022 VER 3.0			<b>NEMA 17 FLYOUT</b>	Edition 1 of 1